

**DUC** *Helices* Propellers

ISO 9001  
BUREAU VERITAS  
Certification



contact@duc-helices.com - www.duc-helices.com

New In-Flight Adjustable propeller

# SWIRLBLACK-3 Hydraulic



The World's Lightest  
Constant Speed  
Hydraulic propeller!

**DUC** *Helices* Propellers

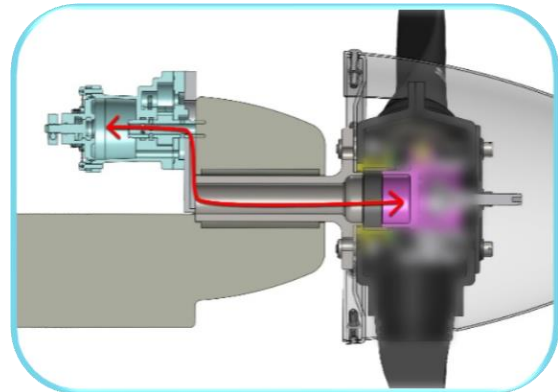
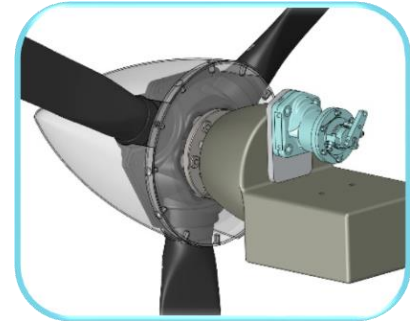


New In-Flight Adjustable propeller

## SWIRLBLACK-3 Hydraulic

The World's Lightest  
Constant Speed Hydraulic propeller!

- ✓ Extremely low weight 3-blade propeller: **6.2kg!**
- ✓ Hydraulic Constant Speed regulation: **Really smooth!**
- ✓ Fully mechanical and Hydraulic, no electric wiring
- ✓ Operable with JIHOSTROJ Governor
- ✓ Available with different shape of blade
- ✓ Reinforced version available soon for ROTAX 915iS



### >>> Characteristics

- Carbon/Titanium blade & Carbon composite hub
- Low weight & inertia
- **3-blade: 6.2 kg (13.7 lbs) | 2-blade: 4.9 kg (10.8 lbs)**
- Pitch angle adjustable, amplitude max. : 23°
- For ROTAX engine (Rotax 912→915iS)
- Innovative high-precision manufacturing
- Shielding leading edge in Inconel®
- Diameter Ø1620 to Ø1900mm (Ø64" to Ø75")

### >>> Version

Rotax 912 (80hp)	2-blade Inconel Hydraulic	<b>FLASHBLACK</b>	<b>4 590 €</b>
Rotax 912S/iS/914	3-blade Inconel Hydraulic	<b>SWIRLBLACK-3</b>	<b>5 990 €</b>
	3-blade Inconel Hydraulic	<b>FLASHBLACK</b>	<b>5 990 €</b>
	3-blade Inconel Hydraulic	<b>FLASHBLACK-2</b>	<b>5 990 €</b>
Rotax 915iS	3-blade Inconel Hydraulic	<b>FLASHBLACK -R</b>	<b>7 200 €</b>