

DUC Propellers Placement Precautions

1. Preamble

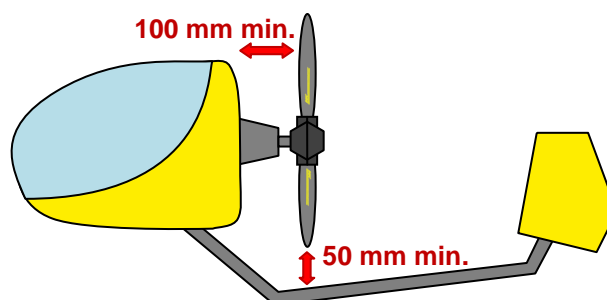
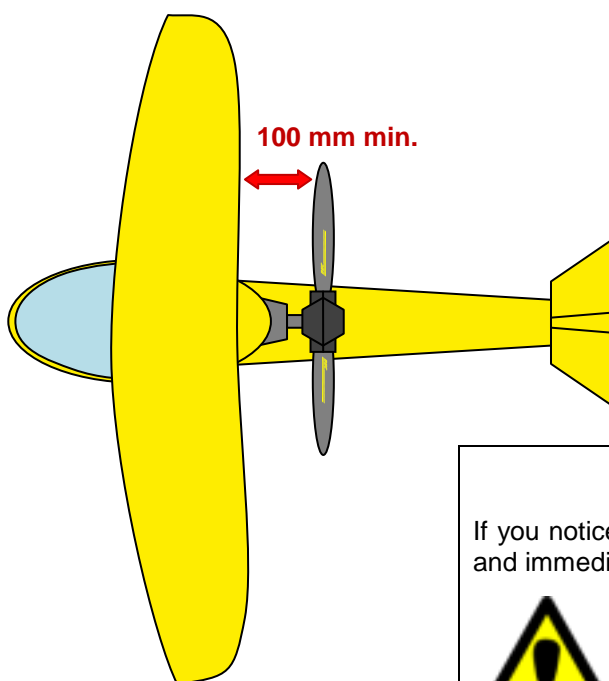
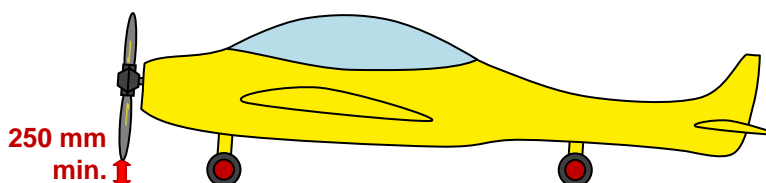
The mounting of the propellers provided by the DUC Hélices Company must follow the specifications outlined below. Failure to follow these data holds harmless our company.

2. Subject

The placement of the propeller on an aircraft is very important for flight safety. Indeed, distances of security must be applied to ensure proper operation under all circumstances.

3. Placement the DUC propellers relative to the ground and the aircraft

According the configuration of your aircraft (3 axis propulsion, autogyro ...), the following safety distances must be strictly followed.



PRECAUTIONS

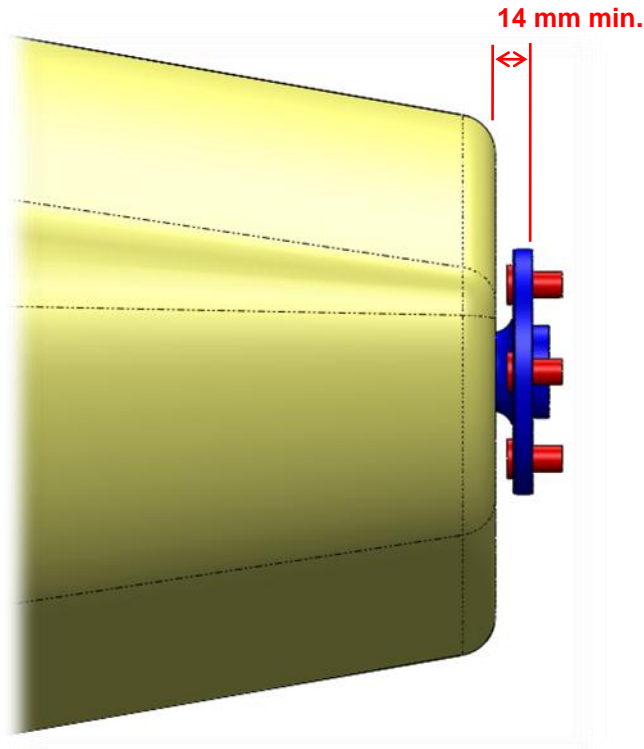
If you notice any abnormal installation or operation, do not undertake the flight and immediately contact the DUC Hélices Company.



**Being aware of potential risks during assembly and initial testing of the propeller.
 Stay focused, attentive and vigilant to your surroundings.
 Recheck several points to be observed.
 Maintaining high safety clearance during the set operation.**

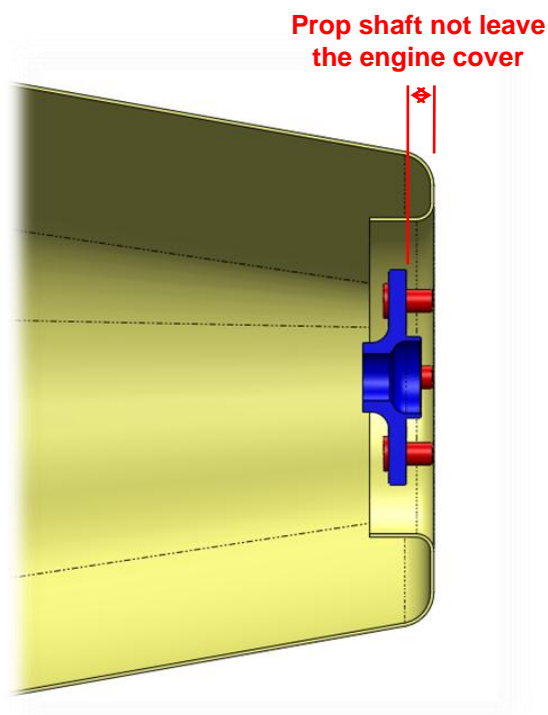
4. Placement of the DUC propellers and DUC spinners relative to the engine cover of the aircraft

4.1. Assembly without adaptor spacer *

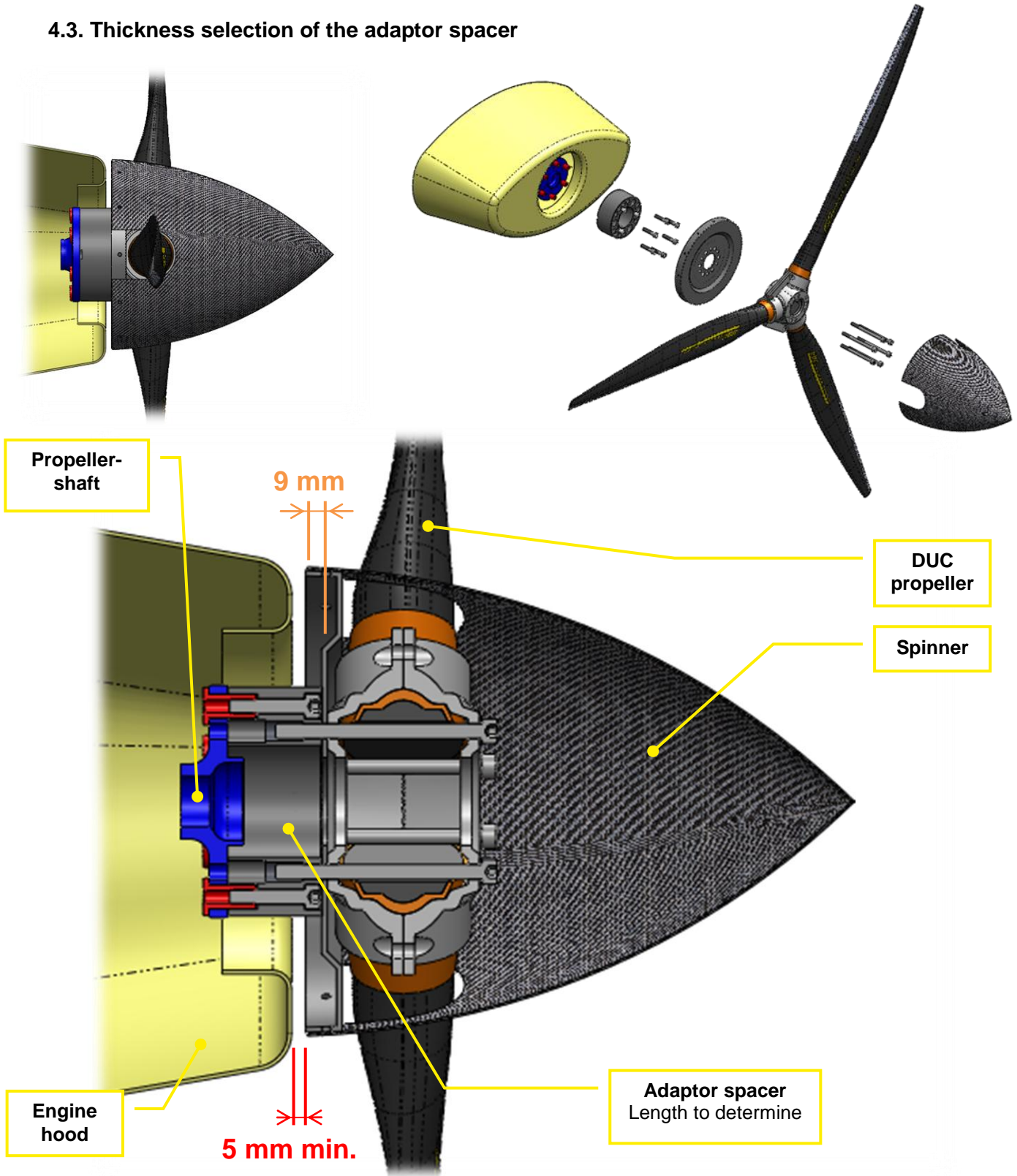


** if presence of 6 holes $\varnothing 8\text{mm}$ on $\varnothing 75\text{mm}$ (ROTAX 912 prop shaft type)*

4.2. Assembly with adaptor spacer



4.3. Thickness selection of the adaptor spacer



CAUTION

After a 1 hour operation following the installation or modification of the assembly, tighten again your propeller according the manual instructions.

DUC Hélices



ISO 9001:2008
Certified Company

Chemin de la Madone - 69210 LENTILLY - FRANCE
Phone: + 33 (0)4 74 72 12 69 - Fax: +33 (0)4 74 72 10 01
E-mail: contact@duc-helices.com - www.duc-helices.com

Customers service: service.technique@duc-helices.com



Data and pictures included in this instruction manual are exclusively property of DUC Hélices Company. Any part of this manual can be reproduced or transmitted in any form with any means, electronic or manual, for any reason, without written approval of DUC Hélices Company.

