

DUC *Helices*



ISO 9001:2008 Certified Company
for its Quality System Management

www.duc-helices.com – contact@duc-helices.com

New propeller

FLASHBLACK

In-Flight Adjustable propeller



DUC *Helices*



FLASHBLACK



In-Flight Adjustable propeller

Description

In-flight adjustable propeller with carbon/titanium blade and carbon hub
Propeller weight extremely low; Titanium bolts

Management of the pitch by "Constant speed" box & Visual indicator in flight

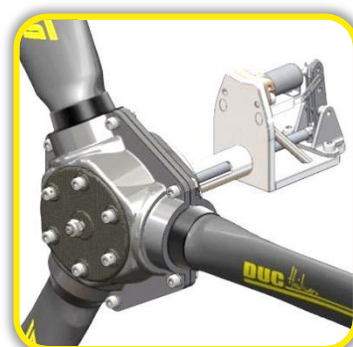
Wide range of pitch variation & Safety stops small/large pitch

Optimized performance for all phases of flight

Hydraulic power with manual or electric control

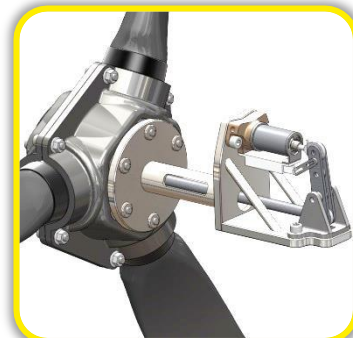
Low consumption & noise reduction

Innovative high-precision manufacturing



Characteristics

- Tractor; 2-blade or 3-blade
- Propeller weight: **4.9kg in 2-blade & 6.5kg in 3-blade**
- Pitch angle adjustable, amplitude max. : 23°
- Compatible with hollow shaft engine (Rotax 912S, 912iS, 914)
- Diameters Ø1520 to Ø1900mm (Ø60" to Ø75")
- Shielding leading edge in Inconel®



Version

BASE: 2-blade/3-blade FLASHBLACK prop. (5.9 & 7.5kg) **5834/6968€HT**
included Pitch indicator & Hydraulic setting wheel

CONSTANT SPEED: Hydraulic pump & Constant Speed box (+0.74kg) **+949 €HT**

