

DUC *Helices*



ISO 9001:2008 Certified Company
for its Quality System Management

www.duc-helices.com – contact@duc-helices.com

New propeller

FLASHBLACK

In-Flight Adjustable propeller



DUC *Helices*



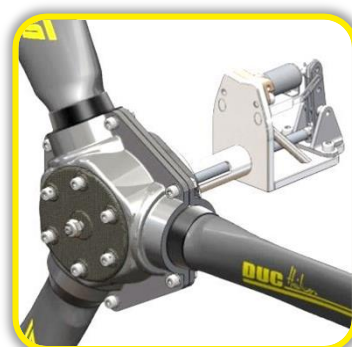
FLASHBLACK

in-Flight Adjustable propeller



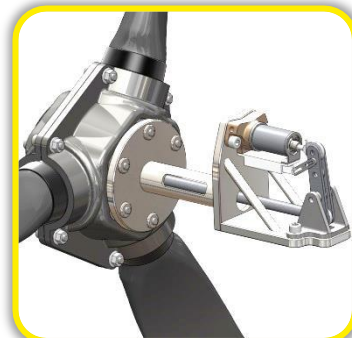
»» Description

In-flight adjustable propeller with **carbon/titanium blade** and **carbon hub**
Propeller weight extremely low; Titanium bolts
 Management of the pitch by "Constant speed" box & Visual indicator in flight
 Wide range of pitch variation & Safety stops small/large pitch
 Optimized performance for all phases of flight
 Hydraulic power with manual or electric control
 Low consumption & noise reduction
 Innovative high-precision manufacturing



»» Characteristics

- Tractor; 2-blade or 3-blade
- Propeller weight: **4.9kg in 2-blade & 6.5 in 3-blade**
- Pitch angle adjustable, amplitude max. : 23°
- Compatible with hollow shaft engine (Rotax 912S, 912iS, 914)
- Diameters Ø1520 to Ø1900mm (Ø60" to Ø75")
- Shielding leading edge in Inconel®



»» Version

BASE: 2-blade/3-blade FLASHBLACK prop. (5.9 & 7.5kg) **5834/6968€HT**
 included Pitch indicator & Hydraulic setting wheel

LEVER: Hydraulic setting lever (+0.21kg) **+309 €HT**

ELECTRIC: Hydraulic pump & Control switch (+0.57kg) **+349 €HT**

CONSTANT SPEED: Hydraulic pump & Constant Speed box (+0.74kg) **+949 €HT**

